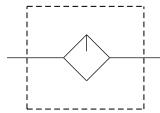


MAL401 series

AIR UNITS (L.UNIT)



Symbol:

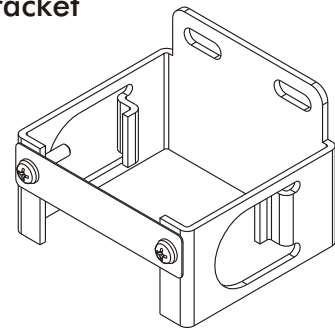


Specification:

Model	MAL401		
Bore No.	8A	10A	15A
Port size	PT 1/4	PT 3/8	PT 1/2
Medium	Air		
Operating pressure range	0~15 kgf/cm ² (0~1.5 MPa)		
Proof pressure	20 kgf/cm ² (2 MPa)		
Ambient temperature	-5~+60°C (No freezing)		
Lubricating oil capacity	200c.c		
Min. flow for oil drip	30 ℓ/min	65 ℓ/min	80 ℓ/min
Recommended lubricating oil	Turbine oil ISO-VG32		
Weight	545 g		

Option accessories

C type bracket



Order example:

MAL401 — 8A — B — BSP

MODEL

BORE SIZE

8A: PT 1/4
10A: PT 3/8
15A: PT 1/2

C Type Bracket

PORT THREAD

Blank: PT thread
BSP: BSP thread
NPT: NPT thread

